

ENGLISH  
ESPAÑOL

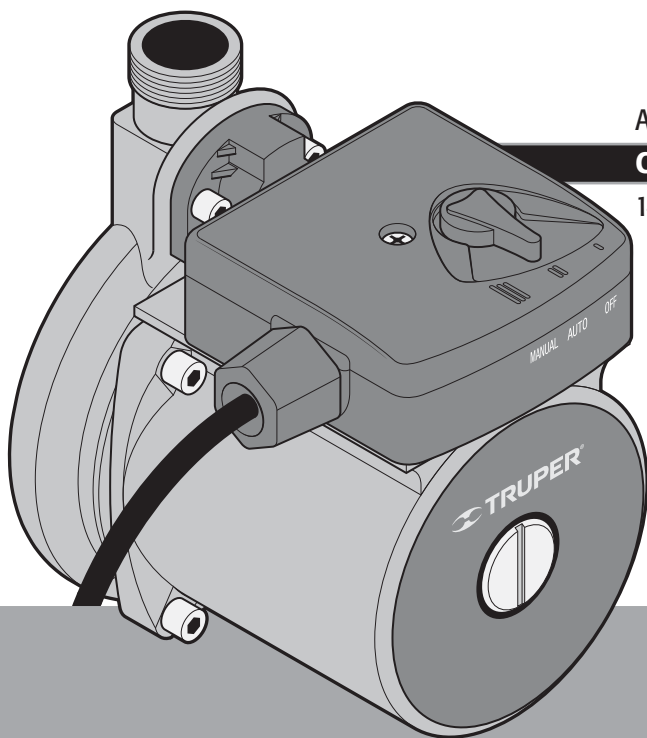
 **TRUPER®**

Manual

# Water Pressure Booster Pump

**1/6 HP**

Power



Applies for:

Code	Model
------	-------

14635	PRE-1/6
-------	---------



# PRE-1/6

 **CAUTION**



Read this manual thoroughly  
before using the tool.



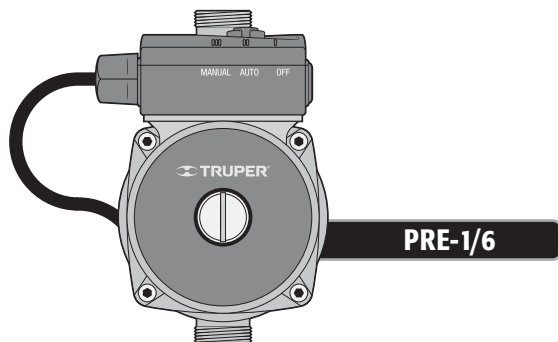
Technical Data .....	<b>3</b>
Power Requirements .....	<b>3</b>
 General Power Tool Safety Warnings .....	<b>4</b>
 Safety Warnings for Water Pressure Pumps .....	<b>5</b>
Parts .....	<b>6</b>
Installation .....	<b>6</b>
Start Up .....	<b>8</b>
Maintenance .....	<b>9</b>
Troubleshooting .....	<b>9</b>
Notes .....	<b>10</b>
Authorized Service Centers .....	<b>11</b>
Warranty Policy .....	<b>12</b>

** CAUTION**

To gain the best performance of the tool, prolong the duty life, make the Warranty valid if necessary, and to avoid hazards of fatal injuries please read and understand this Manual before using the tool.

Keep this manual for future references.

The illustrations in this manual are for reference only. They might be different from the real tool.



## PRE-1/6

Code	14635		
Description	Water Pressure Booster Pump		
Voltage	127 V ~		
Frequency	60 Hz		
Current	1 A		
Speed	3 600 RPM		
Power	1/6 Hp		
Inlet and Outlet Diameter	1/2 NPT		
Minimum Inlet Pressure	0.72 PSI	Maximum Height/Maximum Value of total Manometer Height	29.5 ft
Maximum Inlet Pressure	145 PSI	Liquid Maximum Temperature	176 °F
Minimum water flow at the inlet	0.26 gal/min		
Conductors	H03VV-F 3G 0.5 mm <sup>2</sup>		
Work Cycle	50 minutes work per 20 minutes rest. Maximum 6 hours daily		
Insulation	Class I	IP Grade	IP44

Power cord grips: Type "Y".  
Tool Build quality: Basic Insulation  
Thermal insulation on motor winding: Class F

**⚠ WARNING** Avoid the risk of electric shock or severe injury. When the power cable gets damaged it should only be replaced by the manufacturer or at a Authorized Service Center. The build quality of the electric insulation is altered if spills or liquid gets into the tool while in use. Do not expose to rain, liquids and/or dampness.

**⚠ WARNING** Before gaining access to the terminals all power sources should be disconnected.



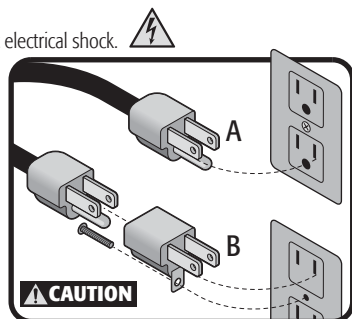
## Power requirements

**⚠ WARNING** The tool shall be connected to ground while in use to prevent electrical shock.

• Plug in the socket into a properly grounded power outlet as shown in example **A**. Not all the power outlets are properly grounded. If in doubt, verify with a qualified electrician.

• If the power outlet is a two-pole (two orifices), BY NO MEANS REMOVE OR MODIFY THE GROUND CONDUCTOR OF THE PLUG. Use a temporary adapter as shown in example **B**. Always connect the conductor ring as indicated.

**⚠ CAUTION** When using an extension cable, verify the gauge is enough for the power that your product needs. A lower gauge cable will cause voltage drop in the line, resulting in power loss and overheating. The following table shows the right size to use depending on cable's length and the ampere capability shown in the tool's nameplate. When in doubt use the next higher gauge



**⚠ CAUTION**

**Ampere Capacity**

**Number of Conductors**

**Extension gauge**

from 6 ft to 49 ft | higher than 49 ft

from 0 A and up to 10 A  
from 10 A and up to 13 A  
from 13 A and up to 15 A  
from 15 A and up to 20 A

3 (one grounded)

18 AWG(*)	16 AWG
16 AWG	14 AWG
14 AWG	12 AWG
8 AWG	6 AWG

**⚠ WARNING** When using power tools outdoors, use a grounded extension cable labeled "Outdoors Use". These extensions are especially designed for outdoors and reduce the risk of electric shock.

**⚠ WARNING** All the cabling, electric connections and the ground connection in the system shall comply with the **OFFICIAL MEXICAN STANDARD NOM-001-SEDE, ELECTRIC INSTALLATIONS (USE)** or with the local codes and ordinances. Please employ a qualified electrician.





**⚠ WARNING! Read carefully all safety warnings and instructions listed below.** Failure to comply with any of these warnings may result in electric shock, fire and / or severe damage. **Save all warnings and instructions for future references.**

### Work area

**Keep your work area clean, and well lit.**

Cluttered and dark areas may cause accidents.



**Never use the tool in explosive atmospheres, such as in the presence of flammable liquids, gases or dust.**

Sparks generated by power tools may ignite the flammable material.



**Keep children and bystanders at a safe distance while operating the tool.**

Distractions may cause losing control.



### Electrical Safety

**The tool plug must match the power outlet. Never modify the plug in any way. Do not use any adapter plugs with grounded power tools.**

Modified plugs and different power outlets increase the risk of electric shock.



**Avoid direct contact with grounded surfaces, such as pipes, radiators, electric ranges and refrigerators.**

The risk of electric shock increases if your body is grounded.

**Do not expose the tool to rain or wet conditions.**

Water entering into the tool increases the risk of electric shock.

**Do not force the cord. Never use the cord to carry, lift or unplug the tool. Keep the cord away from heat, oil, sharp edges or moving parts.**

Damaged or entangled cords increase the risk of electric shock.

**When operating a tool outdoors, use an extension cord suitable for outdoor use.**

Using an adequate outdoor extension cord reduces the risk of electric shock.

**If operating the tool in a damp location cannot be avoided, use a ground fault circuit interrupter (GFCI) protected supply.**

Using a GFCI reduces the risk of electric shock.

### Personal safety

**Stay alert, watch what you are doing and use common sense when operating a tool. Do not use a power tool while you are tired or under the influence of drugs, alcohol or medication.**

A moment of distraction while operating the tool may result in personal injury.

**Use personal protective equipment. Always wear eye protection.**

Protective equipment such as safety glasses, anti-dust mask, non-skid shoes, hard hats and hearing protection used in the right conditions significantly reduce personal injury.



**Prevent unintentional starting up. Ensure the switch is in the "OFF" position before connecting into the power source and / or battery as well as when carrying the tool.**

Transporting power tools with the finger on the switch or connecting power tools with the switch in the "ON" position may cause accidents.

**Remove any wrench or vice before turning the power tool on.**

Wrenches or vices left attached to rotating parts of the tool may result in personal injury.

**Do not overreach. Keep proper footing and balance at all times.**

This enables a better control on the tool during unexpected situations.

**Dress properly. Do not wear loose clothing or jewelry. Keep hair, clothes and gloves away from the moving parts.**

Loose clothes or long hair may get caught in moving parts.



**If you have dust extraction and recollection devices connected onto the tool, inspect their connections and use them correctly.**

Using these devices reduce dust-related risks.

### Power Tools Use and Care

**Do not force the tool. Use the adequate tool for your application.**

The correct tool delivers a better and safer job at the rate for which it was designed.



**Do not use the tool if the switch is not working properly.**

Any power tool that cannot be turned ON or OFF is dangerous and should be repaired before operating.

**Disconnect the tool from the power source and / or battery before making any adjustments, changing accessories or storing.**

These measures reduce the risk of accidentally starting the tool.

**Store tools out of the reach of children. Do not allow persons that are not familiar with the tool or its instructions to operate the tool.**

Power tools are dangerous in the hands of untrained users.



**Service the tool. Check the mobile parts are not misaligned or stuck. There should not be broken parts or other conditions that may affect its operation. Repair any damage before using the tool.**

Most accidents are caused due to poor maintenance to the tools.



**Keep the cutting accessories sharp and clean.**

Cutting accessories in good working conditions are less likely to bind and are easier to control.

**Use the tool, components and accessories in accordance with these instructions and the projected way to use it for the type of tool when in adequate working conditions.**

Using the tool for applications different from those it was designed for, could result in a hazardous situation.

### Service

**Repair the tool in a TRUPER Authorized Service Center using only identical spare parts.**

This will ensure that the safety of the power tool is maintained.

**Children or people with reduced physical, sensory or mental capabilities shall not operate the tool, neither inexperienced people or without knowledge in the use of the tool, unless supervised by a person responsible of their safety or if receiving previous instructions about the tool operation.**

Children shall be kept under supervision to double-check they will not play with the tool. Tight supervision shall be used with children or disabled persons to prevent from using or being close to any household tool.



# Safety Warnings for Water Pressure Pumps

• The automatic pressure pump is built with a noiseless power motor totally coated with rotating parts generating pressure in domestic clean water pipes. The pump doesn't overload when full and requires little maintenance.

• It is mainly used to pressurize domestic use water to the water heater and for sun heated water.

**⚠ CAUTION** • The water to be pumped shall be clean, with no solid particles, fibers or mineral or explosive liquids.

• The pump may be used in warm regions where the water entering into the line can be very hot (the pump is designed to support up to 176 °F).

**⚠ CAUTION** • Before setting up the pump double check the pipes system is properly connected and with no obstructions, soldering remains or dirt.

**⚠ WARNING** • The pump shall be installed in a dry, well ventilated place to prevent electric shock caused by water, spills or condensation. If the pump is set outdoors it will need a protective cover.

**⚠ WARNING** • Do not install the pump inside the bathroom because mist can enter into the connections box.

**⚠ WARNING** • Do not allow the pump's electric parts be in contact with water.

• A recommendation to facilitate maintenance. Set up an independent shut-off valve system in the pump water inlet and outlet, a filter in the inlet pipes and a valve with automatic air release if there is a possibility that air bubbles build into the pipes.

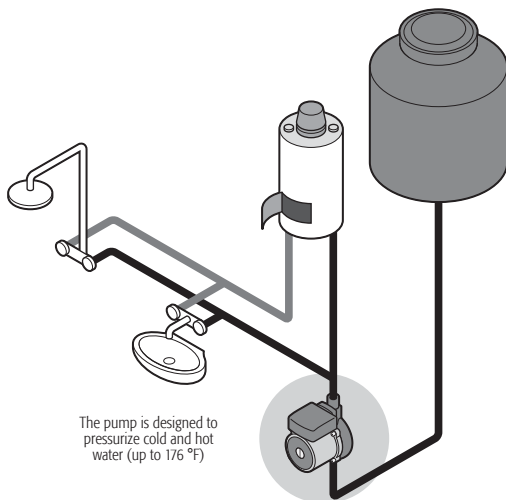
• If the pump is not used long periods of time close the inlet valve and cut the power supply.

• Temperature in the system shall not be higher than environment temperature to prevent a short circuit caused by humidity condensation in the pump body.

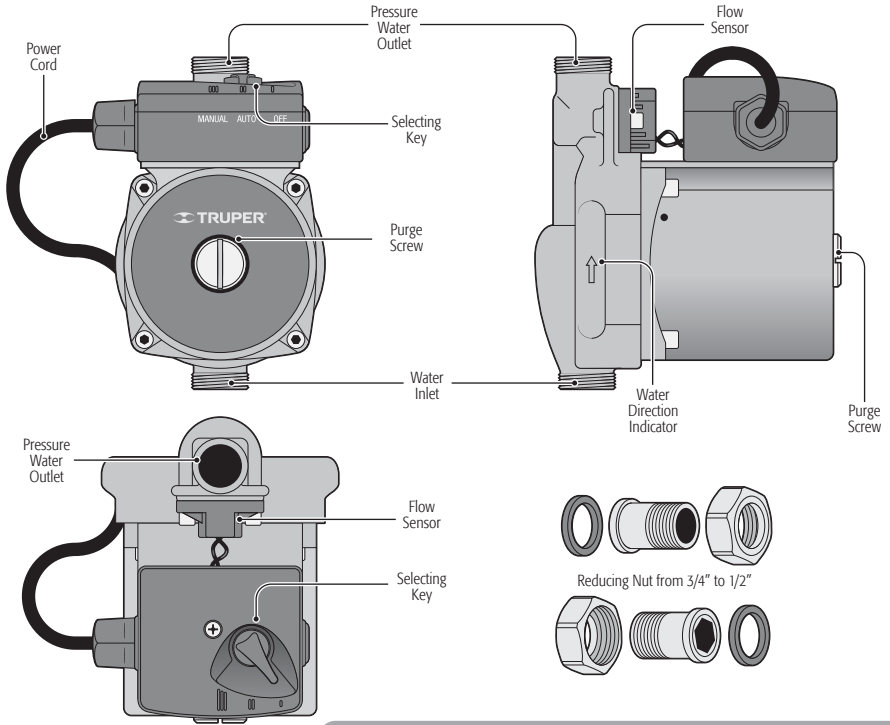
• If the environment temperature is below 32 °F discharge all the water from the pipes to prevent freeze related cracks.

**⚠ CAUTION** • To prevent overheating stop the pump immediately if there are particles, incrustation, obstruction or any type of dirt present.

• The information labels adhered to the device shall not be removed or covered. All the information about the device that is no longer legible shall be replaced immediately.



The pump is designed to pressurize cold and hot water (up to 176 °F)

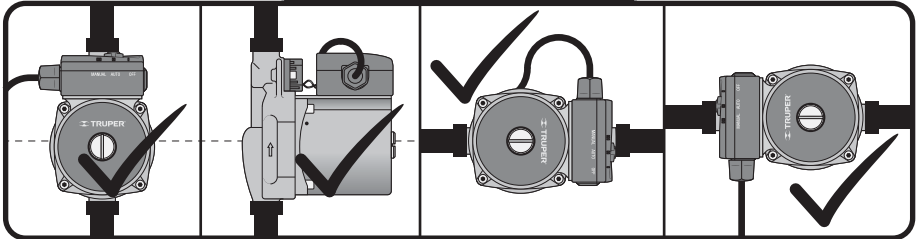


**Installation**

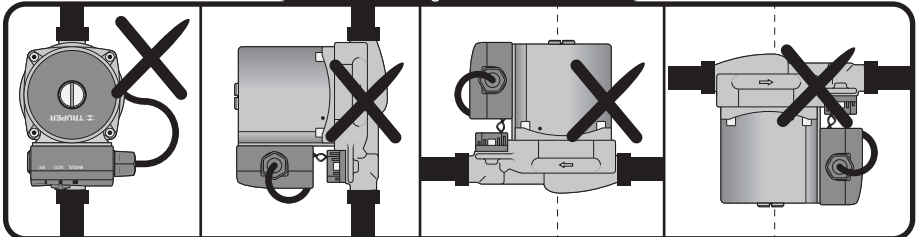
**CAUTION** • When installing the pump do not overlook setting it with the motor axis in a horizontal position.

**CAUTION** • The direction of the flow should follow the direction indicated by the arrow marked in the pump body.

**Right Installation**

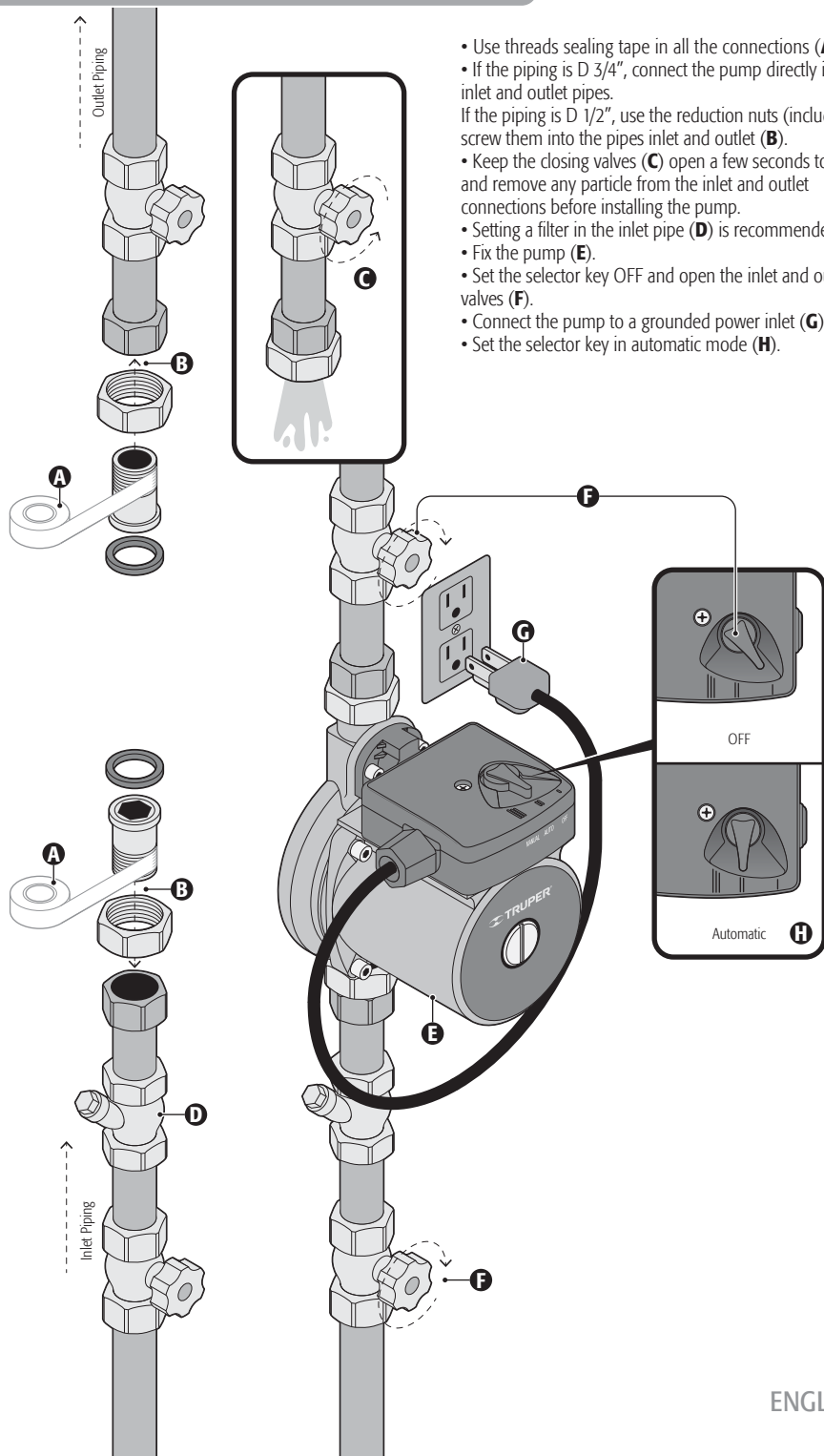


**Wrong Installation**



# Installation

**TRUPER®**

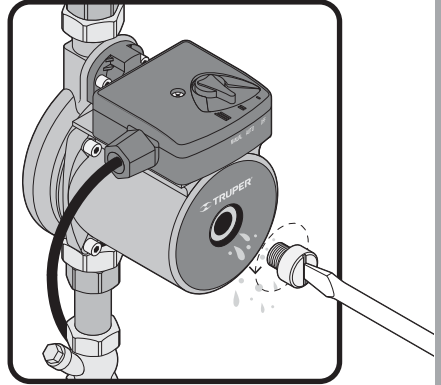


- Use threads sealing tape in all the connections (A).
- If the piping is D 3/4", connect the pump directly into the inlet and outlet pipes.
- If the piping is D 1/2", use the reduction nuts (included) to screw them into the pipes inlet and outlet (B).
- Keep the closing valves (C) open a few seconds to clean and remove any particle from the inlet and outlet connections before installing the pump.
- Setting a filter in the inlet pipe (D) is recommended .
- Fix the pump (E).
- Set the selector key OFF and open the inlet and outlet valves (F).
- Connect the pump to a grounded power inlet (G).
- Set the selector key in automatic mode (H).

**Air Purging**

- For the pump to run correctly after being installed or after maintenance, discharge the air from inside the pump before starting it.
- Open the water faucet after installing the pump (see page 7).
- Set a screwdriver tip in the purge screw slot.
- Turn the purge screw to remove it and let air come out until water starts to flow.
- Set and screw back the purge screw.

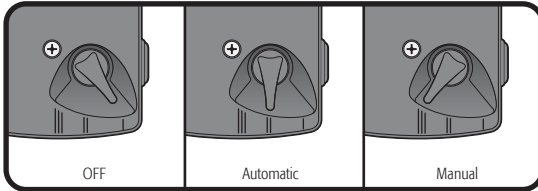
**⚠ CAUTION** To prevent an electric fault do not allow water entering the connections box or the plug.

**Start Up**

- Use the selecting key to operate the pump. There are three positions:
- Off: The pump motor stops.
- Automatic: The pump starts when the water faucet is opened.
- Manual: The pump is running constantly.

**⚠ CAUTION** • When selecting the automatic speed mode, the flow speed shall be higher than 0.4 gal/min. Otherwise the pump will not start.

**⚠ CAUTION** • When selecting the manual mode there should be a least one faucet open. Otherwise the pumped liquid will be too hot and the pump may get damaged.







## Cleaning and Care

- Inspect regularly all the mounting screws and double check they are correctly tightened. If any of the screws is loose, tighten immediately.

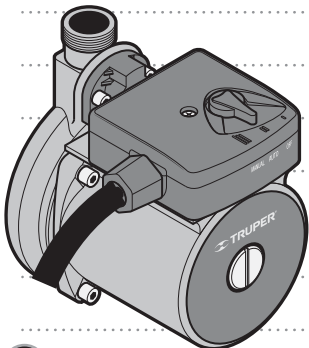
## Repairs

- Repairs to the equipment shall only be carried out in a  **TRUPER®** Authorized Service Center. Service and maintenance carried out by non-qualified persons may be dangerous and could cause personal injuries and makes the product warranty void.

# Troubleshooting


Problem	Cause	Solution
The pump is not running.	<ul style="list-style-type: none"><li>• The pump is off.</li><li>• Problems in the power supply.</li><li>• The motor axis is stuck.</li></ul>	<ul style="list-style-type: none"><li>• Set the pump automatic selector in automatic mode (II) or manual (III).</li><li>• Check the fuses and power line.</li><li>• Remove the purge screw and turn the axis with a screwdriver.</li></ul>
The pump is making noise.	<ul style="list-style-type: none"><li>• There is air in the system or in the pump.</li></ul>	<ul style="list-style-type: none"><li>• Run the pump some minutes with the faucet opened and discharge air.</li></ul>
The pump does not stop when the faucet is closed.	<ul style="list-style-type: none"><li>• The pump remote selector in is manual mode.</li><li>• The flow sensor is dirty.</li></ul>	<ul style="list-style-type: none"><li>• Change to off mode (I) or automatic (II) mode.</li><li>• Open the valve.</li></ul>
The pump is functioning but is not generating pressure.	<ul style="list-style-type: none"><li>• The valve is closed.</li><li>• There is air in the pipe or the pump.</li><li>• The pump is dirty. The flow sensor is blocked with foreign objects.</li></ul>	<ul style="list-style-type: none"><li>• Open the valve.</li><li>• Run the pump a few minutes with an open faucet and discharge air.</li><li>• Go to a  <b>TRUPER®</b> Authorized Service Center.</li></ul>


If the problems persist despite carrying out the recommended corrective actions, contact a  **TRUPER®** Authorized Service Center.



In the event of any problem contacting a Truper Authorized Service Center, please see our webpage [www.truper.com](http://www.truper.com) to get an updated list, or call our toll-free numbers **800 690-6990** or **800 018-7873** to get information about the nearest Service Center.

- AGUASCALIENTES** **DE TODO PARA LA CONSTRUCCIÓN**  
GRAL. BARRAGÁN #1201, COL. GREMIAL, C.P. 20050,  
AGUASCALIENTES, AGS. TEL.: 449 994 0537
- BAJA CALIFORNIA** **SUCURSAL TIJUANA**  
AV. LA ENCANTADA, LOTE #5, PARQUE INDUSTRIAL EL  
FLORIDO II, C.P. 22244, TIJUANA, B.C.  
TEL.: 664 969 5100
- BAJA CALIFORNIA SUR** **FIX FERRETERÍAS**  
FELIPE ÁNGELES ESQ. RUIZ CORTÍNEZ S/N, COL. PUEBLO  
NUEVO, C.P. 23670, CD. CONSTITUCIÓN, B.C.S.  
TEL.: 615 132 1115
- CAMPECHE** **TORNILLERÍA Y FERRETERÍA AAA**  
AV. ÁLVARO OBREGÓN #324, COL. ESPERANZA  
C.P. 24080 CAMPECHE, CAMP. TEL.: 981 815 2808
- CHIAPAS** **FIX FERRETERÍAS**  
AV. CENTRAL SUR #27, COL. CENTRO, C.P. 30700,  
TAPACHULA, CHIS. TEL.: 962 118 4083
- CHIHUAHUA** **SUCURSAL CHIHUAHUA**  
AV. SILVESTRE TERRAZAS #128-11, PARQUE INDUSTRIAL  
BAFAR, CARRETERA MÉXICO CUAUHTÉMOC, C.P. 31415,  
CHIHUAHUA, CHIH. TEL.: 614 434 0052
- MEXICO CITY** **FIX FERRETERÍAS**  
EL MONSTRUO DE CORREGIDORA, CORREGIDORA # 22,  
COL. CENTRO, C.P. 06060, CUAUHTÉMOC, CDMX.  
TEL.: 55 5522 5051 / 5522 4861
- COAHUILA** **SUCURSAL TORREÓN**  
CALLE METAL MECÁNICA #280, PARQUE INDUSTRIAL  
ORIENTE, C.P. 27278, TORREÓN, COAH.  
TEL.: 871 209 68 23
- COLIMA** **BOMBAS Y MOTORES BYMTESA DE MANZANILLO**  
BLVD. MIGUEL DE LA MADRID #190, COL. 16 DE  
SEPTIEMBRE, C.P. 28239, MANZANILLO, COL.  
TEL.: 314 332 1986 / 332 8013
- DURANGO** **TORNILLOS ÁGUILA, S.A. DE C.V.**  
MAZURIÑO #200, COL. LUIS ECHEVERRÍA, DURANGO,  
DGO. TEL.: 618 817 1946 / 618 818 2844
- ESTADO DE MÉXICO** **SUCURSAL CENTRO JILOTEPEC**  
PARQUE INDUSTRIAL No. 1, COL. PARQUE INDUSTRIAL  
JILOTEPEC, JILOTEPEC, EDO. DE MÉX. C.P. 54257,  
TEL.: 761 782 9101 EXT. 5728 Y 5102
- GUANAJUATO** **CÍA. FERRETERA NUEVO MUNDO S.A. DE C.V.**  
AV. MÉXICO - JAPÓN #225, CD. INDUSTRIAL, C.P. 38010,  
CELAYA, GTO. TEL.: 461 617 7578 / 79 / 80 / 88
- GUERRERO** **CENTRO DE SERVICIO ECLIPSE**  
CALLE PRINCIPAL MZ I LT. 1, COL. SANTA FE, C.P. 39010,  
CHILPANCIÑO, GRO. TEL.: 747 478 5793
- HIDALGO** **FERREPRECIOS S.A. DE C.V.**  
LIBERTAD ORIENTE #304 LOCAL 50, INTERIOR DE PASAJE  
ROBLEDO, COL. CENTRO, C.P. 43600, TULANCINGO,  
HGO. TEL.: 775 755 6616 / 775 753 6616
- JALISCO** **SUCURSAL GUADALAJARA**  
AV. ADOLFO B. HORN # 6800, COL: SANTA CRUZ DEL  
VALLE, C.P.: 45655, TLAJOMULCO DE ZUÑIGA, JAL.  
TEL.: 33 3606 5285 AL 90
- MICHOACÁN** **FIX FERRETERÍAS**  
AV. PASEO DE LA REPÚBLICA #3140-A, COL.  
EX-HACIENDA DE LA HUERTA, C.P. 58050, MORELIA,  
MICH. TEL.: 443 334 6858
- MORELOS** **FIX FERRETERÍAS**  
CAPITÁN ANZURES #95, ESQ. JOSÉ PERDIZ, COL.  
CENTRO, C.P. 62740, CUAUTLA, MOR.  
TEL.: 735 352 8951
- NAYARIT** **HERRAMIENTAS DE TEPIC**  
MAZATLAN #117, COL. CENTRO, C.P. 63000, TEPIC, NAY.  
TEL.: 311 258 0540
- NUEVO LEÓN** **SUCURSAL MONTERREY**  
CARRETERA LAREDO #300, 1B MONTERREY PARKS,  
COLONIA PUERTA DE ANAHUAC, C.P. 66052, ESCOBEDO,  
NUEVO LEÓN, TEL.: 81 8352 8791 / 81 8352 8790
- OAXACA** **FIX FERRETERÍAS**  
AV. 20 DE NOVIEMBRE #910, COL. CENTRO, C.P. 68300,  
TUXTEPEC, OAX. TEL.: 287 106 5092
- PUEBLA** **SUCURSAL PUEBLA**  
AV. PERIFÉRICO #2-A, SAN LORENZO ALMECATLA,  
C.P. 72710, CUAUHTLACINGO, PUE.  
TEL.: 222 282 8282 / 84 / 85 / 86
- QUERÉTARO** **ARU HERRAMIENTAS S.A. DE C.V.**  
AV. PUERTO DE VERACRUZ #110, COL. RANCHO DE  
ENMEDIO, C.P. 76842, SAN JUAN DEL RÍO, QRO.  
TEL.: 427 268 4544
- QUINTANA ROO** **FIX FERRETERÍAS**  
CARRETERA FEDERAL MZ. 46 LT. 3 LOCAL 2, COL. EJIDAL,  
C.P. 77710 PLAYA DEL CARMEN, Q.R.  
TEL.: 984 267 3140
- SAN LUIS POTOSÍ** **FIX FERRETERÍAS**  
AV. UNIVERSIDAD #1850, COL. EL PASEO, C.P. 78320,  
SAN LUIS POTOSÍ, S.L.P. TEL.: 444 822 4341
- SINALOA** **SUCURSAL CULIACÁN**  
AV. JESÚS KUMATE SUR #4301, COL. HACIENDA DE LA  
MORA, C.P. 80143, CULIACÁN, SIN.  
TEL.: 667 173 9139 / 173 8400
- SONORA** **FIX FERRETERÍAS**  
CALLE 5 DE FEBRERO #517, SUR LT. 25 MZ. 10, COL.  
CENTRO, C.P. 85000, CD. OBREGÓN, SON.  
TEL.: 644 413 2392
- TABASCO** **SUCURSAL VILLAHERMOSA**  
CALLE HELIO LOTES 1, 2 Y 3 MZ. #1, COL. INDUSTRIAL,  
2A ETAPA, C.P. 86010, VILLAHERMOSA, TAB.  
TEL.: 993 555 7244
- TAMAULIPAS** **VM ORINGS Y REFACCIONES**  
CALLE ROSITA #527 ENTRE 20 DE NOVIEMBRE Y GRAL.  
RODRÍGUEZ, FRACC. REYNOSA, C.P. 88780, REYNOSA,  
TAMS. TEL.: 899 926 7552
- TLAXCALA** **SERVICIOS Y HERRAMIENTAS INDUSTRIALES**  
PABLO SIDAR #132, COL. BARRIO DE SAN BARTOLOMÉ,  
C.P. 90970, SAN PABLO DEL MONTE, TLAX.  
TEL.: 222 271 7502
- VERACRUZ** **LA CASA DISTRIBUIDORA TRUPER**  
BLVD. PRIMAVERA ESQ. HORTENSIA S/N, COL.  
PRIMAVERA, C.P. 93308, POZA RICA, VER.  
TEL.: 782 825 8100 / 826 8484
- YUCATÁN** **SUCURSAL MÉRIDA**  
CALLE 33 #600 Y 602, LOCALIDAD ITZINCAB Y MULSAY,  
MPIO. UMAN, C.P. 97390, MÉRIDA, YUC.  
TEL.: 999 912 2451

Code	Model	Brand
14635	PRE-1/6	 <b>TRUPER®</b>

This product is guaranteed for 1 year. To make the warranty valid or purchase parts and components you must present the product in Corregidora 22, Col. Centro, Alc. Cuauhtémoc, CDMX C.P. 06060 or at the establishment where you purchased it, or at any Truper® Service Center listed in the annex to the warranty policy and/or in [www.truper.com](http://www.truper.com). Transportation costs resulting from compliance of this warranty will be covered by  **TRUPER®**

For questions or comments, call **800-690-6990**. Made in China. Imported by Truper S.A. de C.V. Parque Industrial 1, Parque Industrial Jilotepec, Jilotepec, Edo. de Méx. C.P. 54257



# 1 YEAR

Stamp of the business. Date of purchase:

1  
AÑO

Sello del establecimiento comercial. Fecha de compra:

Este producto está garantizado por 1 año. Para hacer válida la garantía o adquirir piezas y componentes deberá presentar el producto en Corregidora 22, Col. Centro, Alc. Cuauhtémoc, CDMX C.P. 06060 o en el establecimiento donde lo compró, o en algún Centro de Servicio Truper® de los enlistados en el anexo de la póliza de garantía y/o en [www.truper.com](http://www.truper.com). Los gastos de transportación que resulten para su cumplimiento serán cubiertos por **TRUPER**.

Para dudas o comentarios, llame al 800-690-6990. Hecho en China. Importado por Truper S.A. de C.V. Parque Industrial 1, Parque Industrial Jilotepec, Jilotepec, Edo. de Méx. C.P. 54257

<b>Código</b>	14635
<b>Modelo</b>	PRE-1/6
<b>Marca</b>	 <b>TRUPER</b>

**Póliza de  
Garantía**

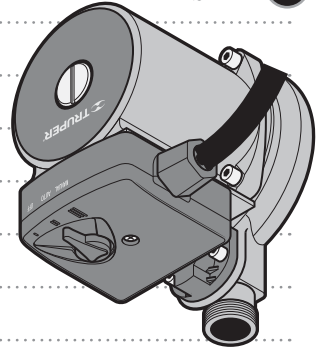
**TRUPER** 

En caso de tener algún problema para contactar un Centro de Servicio Autorizado Truper® consulte nuestra página [www.truper.com](http://www.truper.com) donde obtendrá un listado actualizado, o llame al: 800 690-6990 o 800 018-7873 donde le informarán cuál es el Centro de Servicio más cercano.



# Centros de Servicio Autorizados

<b>AGUASCALIENTES</b>	<b>BAJA CALIFORNIA</b>	<b>BAJA CALIFORNIA SUR</b>	<b>CAMPECHE</b>	<b>CHIAPAS</b>	<b>CHIHUAHUA</b>	<b>CIUDAD DE MEXICO</b>	<b>COAHUILA</b>	<b>COLIMA</b>	<b>DURANGO</b>	<b>ESTADO DE MEXICO</b>	<b>GUANAJUATO</b>	<b>GUERRERO</b>	<b>HIDALGO</b>	<b>JALISCO</b>	<b>MICHOCÁN</b>
<b>GRAL. BARAHONA #1201, COL. CREMALL, C.P. 20030, AGUASCALIENTES, AGS. TEL: 449 994 994 0537</b>	<b>SUCURSAL TIJUANA</b> AV. LA ENCANADA, LOTE #5, PARQUE INDUSTRIAL EL FLORIDO II, C.P. 22244, TIJUANA, B.C. TEL: 664 969 5100	<b>FIX FERRETERIAS</b> FELIPE ANGELES ESQ. RUIZ CORTINEZ S/N, COL. PUEBLO NUEVO, C.P. 25670, CD. CONSTITUCIÓN, B.C.S. TEL: 613 152 1115	<b>TORNILLERIA Y OBERRETA AAA</b> AV. ALVARO OBREGON #524, COL. ESPERANZA C.P. 24080 CAMPPECHE, CAMP. TEL: 981 815 2808	<b>FIX FERRETERIA</b> AV. CENTRAL SUR #27, COL. CENTRO, C.P. 30700, TAPACHULA, CHIS. TEL: 962 118 4083	<b>SUCURSAL CHIHUAHUA</b> AV. SIESTEIRA TERRAZAS #128-11, PARQUE INDUSTRIAL BARRA CARRETERA MEXICO CUAUTIHTEMOC, C.P. 31415, CHIHUAHUA, CHIH. TEL. 614 654 0052	<b>FIX FERRETERIAS</b> EL MONSTRUO DE CORREGIDORA, CORREGIDORA # 22, COL. CENTRO D, C.P. 06060, CUAUTIHTEMOC, CDMX. TEL: 55 5222 5051 / 5522 4861	<b>CALE METAL MECANICA #280, PARQUE INDUSTRIAL ORIENTE, C.P. 27278, TORREÓN, COAH.</b> TEL: 871 209 68 23	<b>BOMBAS Y MOTORES BYMTESA DE MANZANILLO</b> BLVD. MIGUEL DE LA MADRID #190, COL. 16 DE SEPTIEMBRE, C.P. 28259, MANZANILLO, COL. TEL: 514 532 1986 / 532 8015	<b>TORNILLOS ÁGUILA, S.A. DE C.V.</b> MAZURCO #200, COL. LUIS ECHERREY, DURANGO, DGO. TEL: 618 817 1946 / 618 818 2844	<b>PARQUE CENTRO JILOTPEC</b> PARQUE INDUSTRIAL No. 1, COL. PARQUE INDUSTRIAL JILOTPEC, JILOTPEC, EDO. DE MEX. C.P. 54257, TEL: 761 782 9101 EXT. 5728 Y 5102	<b>CLA FERRETERIA NUEVO MUNDO S.A. DE C.V.</b> AV. MEXICO - IAPON #225, CD. INDUSTRIAL, C.P. 38010, CELVA, GTO. TEL: 461 617 7578 / 79 / 80 / 88	<b>CENTRO DE SERVICIO ECLIPSE</b> CALTE PRINCIPAL MZA 1I LT. 1, COL. SANTA FE, C.P. 39010, CHILPANCIANGO, GRO. TEL: 747 478 5793	<b>FERRERRECIOS S.A. DE C.V.</b> LIBERTAD ORIENTE #504 LOCAL 50, INTERIOR DE PASAJE ROBELO, COL. CENTRO, C.P. 43600, TULANCINGO, HGO. TEL: 775 753 6615 / 775 753 6616	<b>SUCURSAL GUADALAJARA</b> AV. ADOLFO B. HORN #6800, COL. SANTA CRUZ DEL VALLE, C.P. 45655, TLAJOMULCO DE ZUNIGA, JAL. TEL: 33 3606 5285 91 90	<b>FIX FERRETERIAS</b> AV. PASO DE LA REPUBLICA #3140-A, COL. EX-HACIENDA DE LA HUERTA, C.P. 58050, MORELIA, MICH. TEL: 443 534 6888
<b>MORELOS</b>	<b>NAVARIT</b>	<b>NEUVO LEÓN</b>	<b>OAXACA</b>	<b>PUEBLA</b>	<b>QUERÉTARO</b>	<b>QUINTANA ROO</b>	<b>SAN LUIS POTOSÍ</b>	<b>SINALOA</b>	<b>SONORA</b>	<b>TABASCO</b>	<b>TAMAU-LIPAS</b>	<b>TLAXCALA</b>	<b>VERACRUZ</b>	<b>YUCATÁN</b>	
<b>SUCURSAL</b> CAPTAN ANZURES #95, ESQ. JOSÉ PEREZ, COL. CENTRO, C.P. 62740, CUAUTLA, MOR. TEL: 735 552 8951	<b>HERRAMIENTAS DE TEPIC</b> MAZATLAN #117, COL. CENTRO, C.P. 63000, TEPIC, NAY. TEL: 511 258 0540	<b>SUCURSAL MONTERREY</b> CARRETERA LAREDO #500, 1B MONTERREY PARKS, COLOMIA PUERTA DE ANAHUAC, C.P. 66052, ESCOBEDO, NUEVO LEÓN, TEL: 81 8352 8791 / 81 8352 8790	<b>FIX FERRETERIAS</b> AV. 20 DE NOVIEMBRE #910, COL. CENTRO, C.P. 68300, TUXTEPEC, OAX. TEL: 287 106 3092	<b>SUCURSAL PUEBLA</b> AV. PARRISICO #2-A, SAN LORENZO ALMECATLA, C.P. 72710, CUAUTLACINCO, PUE. TEL: 222 282 8282 / 84 / 85 / 86	<b>ARU HERRAMIENTAS S.A. DE C.V.</b> ENMENDO, C.P. 76842, SAN JUAN DEL RÍO, QRO. TEL: 427 268 4544	<b>FIX FERRETERIAS</b> CARRETERA FEDERAL MZ. 46 LT. 3 LOCAL 2, COL. EIDAL, C.P. 77710 PLANA DEL CARMEN, Q.R. TEL: 984 267 3140	<b>FIX FERRETERIAS</b> AV. UNIVERSIDAD #1850, COL. EL PASO, C.P. 78320, SAN LUIS POTOSÍ, S.L.P. TEL: 444 822 4341	<b>SUCURSAL CUICUILTAN</b> AV. JESUS KUARIATE SUR #430, COL. HACIENDA DE LA MORA, C.P. 80145, CUICUILTAN, SIN. TEL: 667 173 9159 / 173 8400	<b>FIX FERRETERIAS</b> CALE 5 DE FEBRERO #517, SUR LT. 25 MZ. 10, COL. CENTRO, C.P. 85000, CD. OBRERÓN, SON. TEL: 644 413 2392	<b>SUCURSAL VILLAHERMOSA</b> 2A ETAPA, C.P. 86010, VILLAHERMOSA, TAB. TEL: 993 353 7244	<b>VM ORINOS REACCIONES</b> CALTE ROSITA #227 ENTRE 20 DE NOVIEMBRE Y GERAL RODORIGUEZ, FRACC. REYNOSA, C.P. 88780, REYNOSA, TAMS. TEL: 899 926 7522	<b>SERVICIOS Y HERRAMIENTAS INDUSTRIALES</b> PABLO SIDAR #152, COL. BARRIO DE SAN BARTOLOMÉ, C.P. 90970, SAN PABLO DEL MONTE, TLAX. TEL: 222 271 7502	<b>BLVD. PRIMAVERA ESQ. HORTENSIA S/N, COL. PRIMAVERA, C.P. 93308, POZA RICA, VER.</b> TEL: 782 823 8100 / 826 8484	<b>SUCURSAL MÉRIDA</b> CALE 33 #600 Y 602, LOCALIDAD TIZINCAB Y MUSAY, MPJO, UMMÁN, C.P. 97390, MÉRIDA, YUC. TEL: 999 912 2451	



A series of horizontal dotted lines for writing notes, spanning the width of the page.

# Mantenimiento

## Limpeza y cuidados

- Inspeccione regularmente todos los tornillos de montaje y asegúrese de que estén apretados correctamente. En caso de que alguno de los tornillos esté suelto, apriételo inmediatamente.

## Reparación

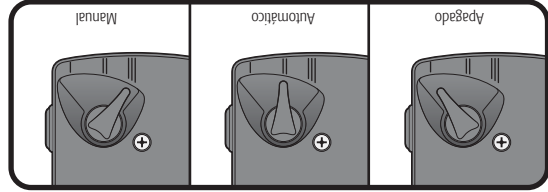
- La reparación del equipo debe ser realizada únicamente en un Centro de Servicio Autorizado **TRUPER**. El servicio y mantenimiento realizado por personas no calificadas puede resultar peligroso y llegar a ocasionar daños personales además de invalidar la garantía del producto.

# Solución de problemas

Problema	Causa	Solución
La bomba no funciona.	<ul style="list-style-type: none"> <li>• La bomba está apagada.</li> <li>• Problemas con el suministro eléctrico.</li> <li>• El eje del motor está atorado.</li> </ul>	<ul style="list-style-type: none"> <li>• Ponga la llave selectora de la bomba en modo automático (II) o manual (III).</li> <li>• Revise los fusibles y la línea eléctrica.</li> <li>• Retire el tornillo de purga y gire el eje con el destornillador.</li> </ul>
La bomba hace ruido.	<ul style="list-style-type: none"> <li>• Hay aire en el sistema o en la bomba.</li> </ul>	<ul style="list-style-type: none"> <li>• Haga funcionar la bomba durante unos minutos con el grifo abierto y descaerque el aire.</li> </ul>
La bomba no se detiene cuando el grifo está cerrado.	<ul style="list-style-type: none"> <li>• La llave selectora de la bomba está en modo manual.</li> <li>• El sensor de flujo está sucio.</li> </ul>	<ul style="list-style-type: none"> <li>• Cambie a modo apagado (I) o automático (II).</li> <li>• Abra la válvula.</li> </ul>

La bomba funciona pero no genera presión.	<ul style="list-style-type: none"> <li>• La válvula está cerrada.</li> <li>• Hay aire en el tubo o en la bomba.</li> <li>• La bomba está sucia. El sensor de flujo está bloqueado con objetos extraños.</li> </ul>	<ul style="list-style-type: none"> <li>• Abra la válvula.</li> <li>• Haga funcionar la bomba durante unos minutos con el grifo abierto y descaerque el aire.</li> <li>• Acuda a un Centro de Servicio Autorizado <b>TRUPER</b>.</li> </ul>
Si los problemas persisten a pesar de realizar las acciones correctivas recomendadas, contacte a un Centro de Servicio Autorizado <b>TRUPER</b> .		





- Utilice la llave selectora para operar la bomba; este tiene tres posiciones:
- Apagado: La bomba se detiene.
- Automático: La bomba arranca en cuanto se abre el grifo del agua.
- Manual: La bomba está en marcha de forma constante.

**⚠ ATENCIÓN**

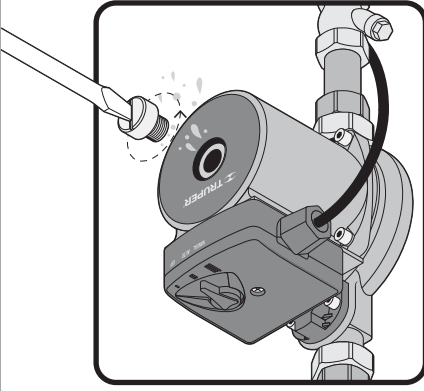
• Cuando se selecciona el modo automático la velocidad del flujo debe ser mayor a 1.5 L/min. De lo

**⚠ ATENCIÓN**

contrario la bomba no arrancará.

el líquido bombeado se calentará demasiado y la bomba podría dañarse.

## Puesta en marcha



### Purga de aire

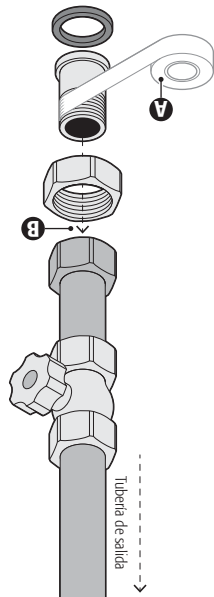
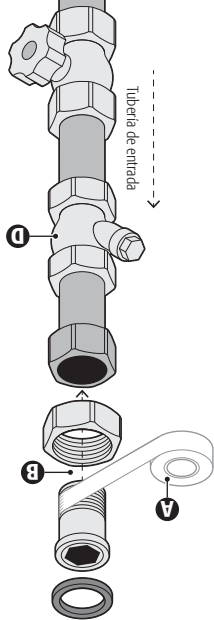
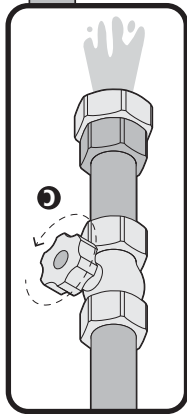
- Se debe descargar el aire del interior de la bomba antes de ponerla en marcha para que ésta funcione correctamente después de ser instalada o después del mantenimiento.
- Abra el grifo de agua después de hacer la instalación de la bomba (consulte la página 7).
- Coloque la punta de un desarmador en la ranura del tornillo de purga.
- Círe el tornillo de purga para retirarlo para dejar salir el aire hasta que empiece a salir agua.
- Vuelva a colocar y atornillar el tornillo de purga.
- No permita que entre agua en la caja de conexiones o en la clavija para no ocasionar una falla eléctrica.

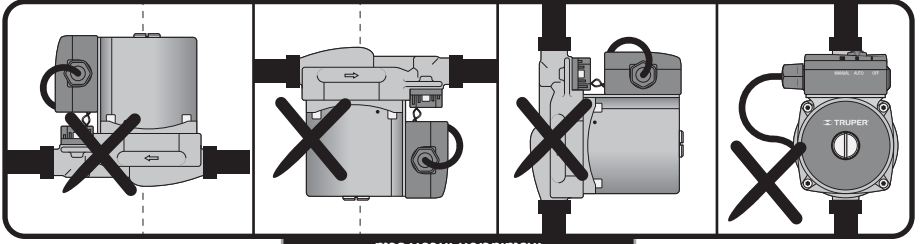
**⚠ ATENCIÓN**

No permita que entre agua en la caja de conexiones o en la clavija para no ocasionar una falla eléctrica.

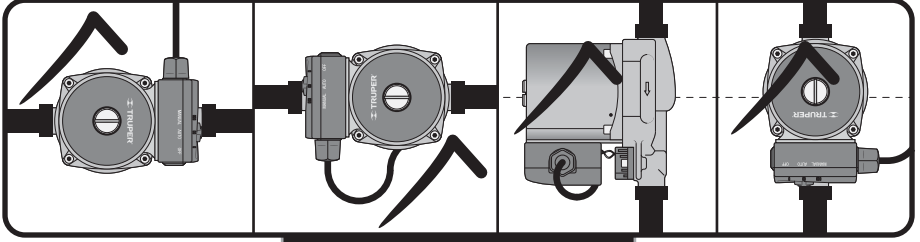


- Utilice cinta sella rosca en la junta de todas las conexiones (A).
- Si la tubería es de 3/4" (19 mm) de diámetro, conecte directamente la bomba a las tuberías de entrada y salida. Si la tubería es de 1/2" (13 mm) de diámetro, utilice las tuercas reductoras (incluidas), para atomillarlas en la entrada y salida de la tubería (B).
- Abra unos segundos las válvulas de cierre (C) para limpiar y retirar cualquier partícula de las conexiones de entrada y de salida antes de la instalación de la bomba.
- Se recomienda colocar un filtro (D) en el tubo de entrada.
- Fije la bomba (E).
- Coloque la llave selectora en apagado y abra las válvulas de entrada y salida (F).
- Conecte la bomba en una toma de corriente con puesta a tierra (G).
- Ponga la llave selectora en modo automático (H).





Instalación incorrecta



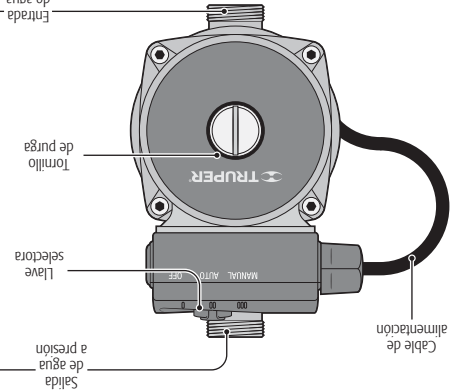
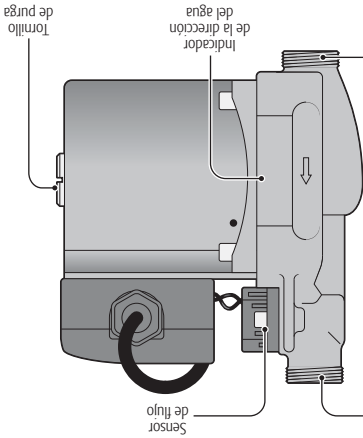
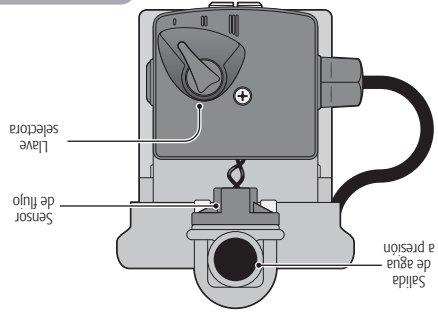
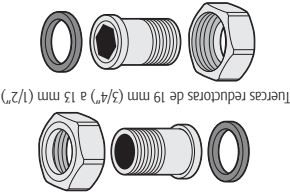
Instalación correcta

horizontal.

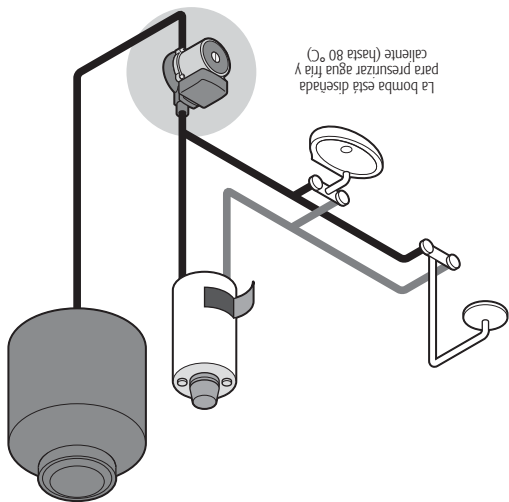
**ATENCIÓN** • Cuando instale la bomba no olvide

**ATENCIÓN** • La dirección del flujo debe seguir la dirección de la flecha marcada en el cuerpo de la bomba.

## Instalación



## Partes



# Advertencias de Seguridad para uso de presurizadores de agua

- La bomba presurizadora automática tiene un silencioso motor eléctrico totalmente revestido con piezas giratorias que generan presión en tuberías domésticas de agua limpia. La bomba no se sobrecarga cuando está llena y requiere de muy poco mantenimiento.
- Se utiliza principalmente para presurizar agua de uso doméstico hacia el calentador y para agua calentada por luz solar.
- **ATENCIÓN** • El agua a bombear debe ser limpia, sin contenido de ningún tipo de partículas sólidas, fibras o líquidos minerales o explosivos.
- La bomba puede ser utilizada en regiones cálidas en donde el agua que entra a la línea puede llegar muy caliente (la bomba está diseñada para soportar hasta 80 °C).
- **ATENCIÓN** • Antes de instalar la bomba confirme que el sistema de tuberías esté bien conectado y sin obstrucciones, restos de soldadura o basura.
- **ADVERTENCIA** • La bomba debe ser instalada en un lugar seco y bien ventilado para evitar un corto circuito ocasionado por el agua, salpicaduras y condensaciones. Si la bomba se instala a la intemperie necesitará de una cubierta que la proteja.
- **ADVERTENCIA** • No instale la bomba dentro del baño ya que el vapor puede entrar a la caja de conexiones.
- **ADVERTENCIA** • No permita que las partes eléctricas de la bomba estén en contacto con el agua.
- Para facilitar el mantenimiento se recomienda instalar un sistema de válvulas independientes de cierre en la entrada y la salida de la bomba, un filtro en la tubería de entrada y una válvula con salida de aire automática si existe la posibilidad de que se originen burbujas de aire en la tubería.
- En caso de que la bomba no sea utilizada por períodos largos cierre la válvula de entrada y corte el suministro eléctrico.
- La temperatura en el sistema no debe ser mayor que la temperatura ambiente para prevenir que ocurra un corto circuito debido a la condensación por la humedad en el cuerpo de la bomba.
- En caso que la temperatura ambiente esté por debajo de los 0 °C, descargue toda el agua de la tubería para evitar roturas en la bomba por congelación.
- **ATENCIÓN** • Detenga la bomba de inmediato si el agua presenta partículas, incrustaciones, obstrucciones o cualquier tipo de suciedad para evitar un sobrecalentamiento.
- Las etiquetas de información adheridas al dispositivo no deben retirarse ni cubrirse. Toda información sobre el dispositivo que ya no sea legible, debe ser reemplazada de inmediato.



# Especificaciones técnicas



PRE-1/6

Código • 14635

Descripción • Bomba presurizadora

Tensión • 127 V ~

Frecuencia • 60 Hz

Corriente • 1 A

Velocidad • 3 600 r/min

Potencia • 1/6 Hp (125 W)

Diámetro de entrada y salida • 1/2 NPT

Presión mínima de entrada • 0.005 MPa (0.05 bar)

Presión máxima de entrada • 1.0 MPa (10 bar)

Flujo mínimo de agua a la entrada • 1 l/min

Conductores • H03VVF 3G 0.5 mm<sup>2</sup>

Ciclo de trabajo • 50 min de trabajo por 20 min de descanso. Máximo 6 horas diarias.

Aislamiento • Clase I

Grado IP • IP44

El cable de alimentación tiene sujeta-cables tipo: Y

La clase de construcción de la herramienta es: Aislamiento básico.

La clase de aislamiento térmico de los devanados del motor: Clase F.

Si el cable de alimentación se daña, éste debe ser reemplazado por el fabricante o Centro de Servicio

**ADVERTENCIA** Autorizado **TRUPER**; con el fin de evitar algún riesgo de descarga o accidente considerable.

La construcción del aislamiento eléctrico de esta herramienta es alterado por salpicaduras o

derriamamiento de líquidos durante su operación. No la exponga a la lluvia, líquidos y/o humedad.

Antes de obtener acceso a las terminales, todos los circuitos de alimentación deben ser desconectados.

**ADVERTENCIA** Antes de obtener acceso a las terminales, todos los circuitos de alimentación deben ser desconectados.

• Conecte la clavija a un contacto debidamente aterrizado como se muestra en el ejemplo **A**. No todos los contactos están debidamente aterrizados, si no está seguro verifique con un electricista calificado.

• Si el contacto que planea usar para su herramienta es de 2 polos (2 orificios), NO REMUEVA O ALTERE EL CONDUCTOR DE TIERRA DE SU CLAVIJA. POR NINGÚN MOTIVO. Utilice un adaptador temporal como se muestra en el ejemplo **B** y siempre conecte la oreja del conductor de tierra como se indica.

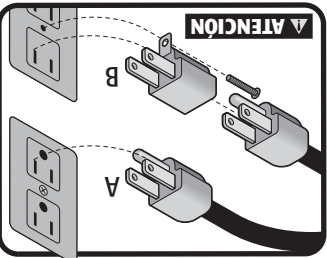
Al usar un cable de extensión, asegúrese de usar el calibre adecuado para transportar la corriente que consumirá su herramienta. Un cable de un calibre inferior ocasionará caídas de tensión en la línea, teniendo como resultado pérdida de potencia y sobrecalentamiento del motor. La siguiente tabla muestra el tamaño correcto que debe usarse dependiendo de la longitud del cable y de la capacidad de amperes indicada en la placa de datos de la herramienta. Si tiene dudas use el siguiente calibre más alto.

**ADVERTENCIA** Si una herramienta eléctrica en exteriores, utilice una extensión aterrizada marcada como "Uso exterior" marca **VOLTECK**. (Que son especiales para el uso en exteriores y reducen el riesgo de sufrir una descarga eléctrica.

**ADVERTENCIA** Todo el cableado, las conexiones eléctricas y la conexión a tierra del sistema deben cumplir con la **NORMA OFICIAL MEXICANA NOM-001-SEDE, INSTALACIONES ELÉCTRICAS (UTILIZACIÓN)** o con los códigos y ordenanzas locales. Debe emplear un electricista calificado.

## Requerimientos eléctricos

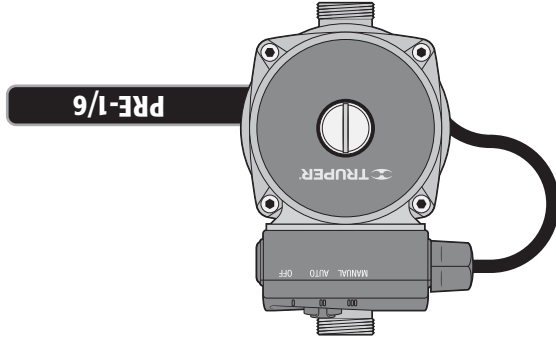
**ADVERTENCIA** La herramienta debe ser conectada a tierra mientras esté en uso para evitar una descarga eléctrica.



Capacidad en Amperes

Capacidad en Amperes	Numero de conductores	Calibre de extensión
de 0 A hasta 10 A	3 (uno a tierra)	16 AWG
de 10 A hasta 13 A		14 AWG
de 13 A hasta 15 A		12 AWG
de 15 A hasta 20 A		8 AWG

de 18 m a 15 m | mayor de 15 m



- 12 Póliza de Garantía.....
- 12 Centros de Servicio Autorizados.....
- 10 Notas.....
- 9 Solución de problemas.....
- 9 Mantenimiento.....
- 8 Puesta en marcha.....
- 6 Instalación.....
- 6 Partes.....
- 5 Advertencias de Seguridad para uso de presurizadores de agua.....
- 4 Advertencias generales de seguridad para herramientas eléctricas.....
- 3 Requerimientos eléctricos.....
- 3 Especificaciones técnicas.....

Guarde este instructivo para futuras referencias. Los gráficos de este instructivo son para referencia, pueden variar del aspecto real del equipo.

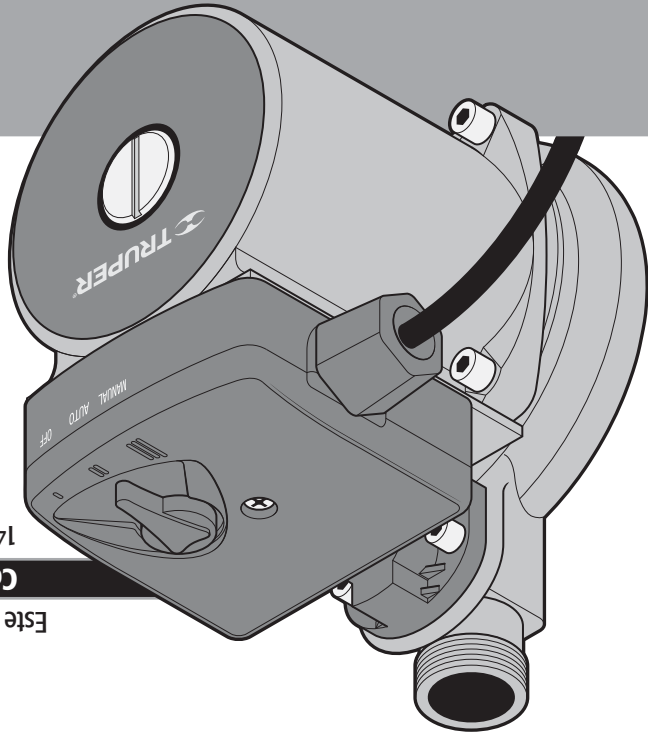
Para poder sacar el máximo provecho del equipo, alargar su vida útil, hacer válida la garantía en caso de ser necesario y evitar riesgos o lesiones graves, es fundamental leer este instructivo por completo antes de usar el equipo.

**ATENCIÓN**

Instructivo de

## Bomba

## presurizadora



# PRE-1/6

Este instructivo es para:

**Código** 14635  
**Modelo** PRE-1/6

125 W  
**1/6 HP**  
Potencia



Lea este instructivo por completo antes de usar la herramienta.



## ATENCIÓN